

2 inch LED Trim

2" Round Smooth LED Downlight Trim



- Finishes



B - Black



BZ - Bronze



SN - Satin Nickel

SPECIFICATION

QUICK FEATURES

- Diecast aluminum heatsink dissipates heat from the LED board
- 4 different colors : **W**-White / **B**-Black / **SN**-Satin Nickel / **BZ**-Bronze
- Dimming down to 10% with most Triac Dimmers
- cUL classified / ENERGY STAR qualified
- Wet Location
- Lifetime of 50,000 hours
- 5 year warranty

PERFORMANCE DATA

Input Voltage	120V
Frequency	50 / 60Hz
T Ambient	-30°C ~40°C (-22°F ~104°F)

(all values at 25°C without a dimming control in circuit)

LIGHT SOURCE TEST TABLE

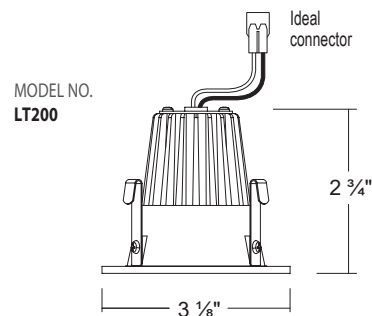
Wattage	2700K	3000K	4000K	5000K
9 W	610 lm	640 lm	710 lm	700 lm

CRI 90

DIMENSIONS



1 CCT LED Downlight



ORDERING INFORMATION

Model No.	Description
LT200W	2" LED Trim / Round Smooth / White
LT200B	2" LED Trim / Round Smooth / Black
LT200SN	2" LED Trim / Round Smooth / Satin Nickel
LT200BZ	2" LED Trim / Round Smooth / Bronze

DIMMING LIST

List of Triac Dimmer Switch (120V)

Mfr	Model #	Dimming Rate
COOPER	DLC03P	10 - 100%
Leviton	1A1505 / 1C1605	10 - 100%
Leviton	6631 / 6633	10 - 100%
Lutron	CT-603PG / CT-600PR	10 - 100%
Lutron	DV-600PR / DV603PG	10 - 100%
Lutron	DVW-603PGH / DVCL-153P	10 - 100%
Lutron	MACL-153M / TGCL-153P	10 - 100%
Lutron	S-600PR / S-2-LH	10 - 100%